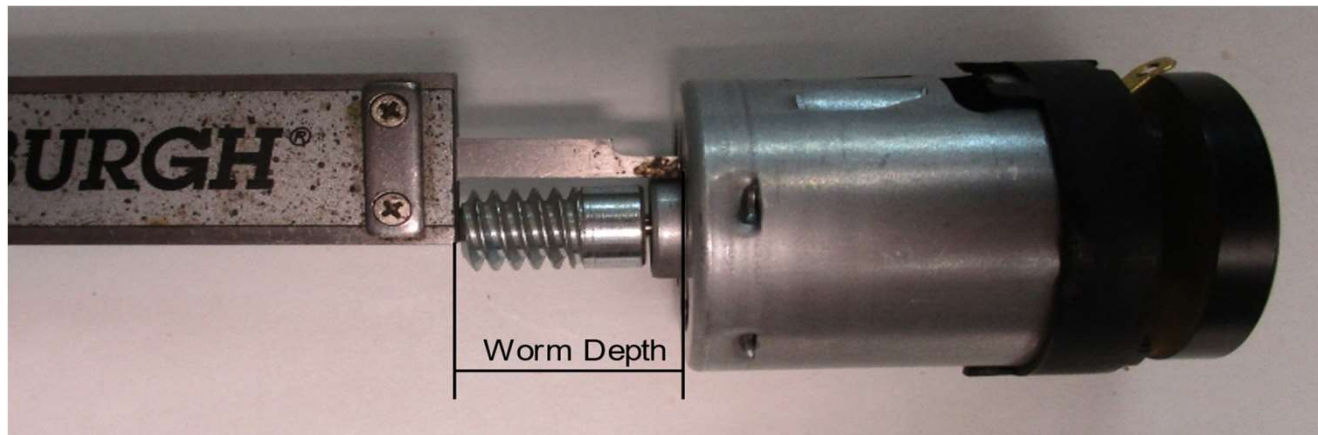


RAILKING STEAM LOCOMOTIVE MOTOR & WORM GEAR CHART

The following list shows which motor and worm gear combinations are used in each specific model. Each motor description identifies the motor type, the worm gear, the overall flywheel diameter and thickness (if it is not denoted as tapered, then the flywheel is flat). It also lists the depth of the worm gear (from the face of the end of the worm gear to the bottom of the motor case (where it sits on the motor mount)). The diagram below shows how this dimension is taken. We recommend you measure the "worm depth" on the motor you are replacing BEFORE ordering a new replacement motor

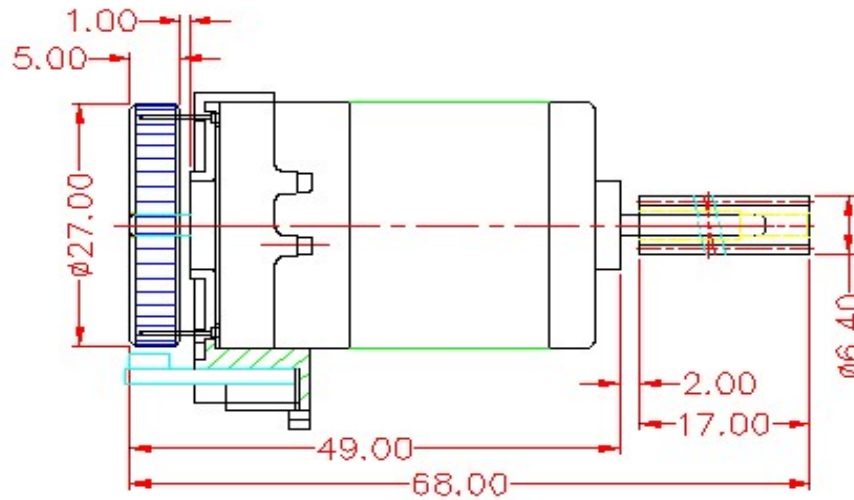
The part numbers shown below each category will all work on the RailKing models shown on the left, they are segregated based on worm depth and flywheel/bracket combinations.



NOTE: The helical gear in the trucks have remained the same from Protosound 1 through Protosound 3.0. Hence the worm gears are the same from the earliest models to the most recently shipped models.

Motor:
RS385PH

Worm Gear:
MS001-M32



Fits the following RailKing Steam Locomotives:

RK BIG BOY 4-8-8-4

RK C&O ALLEGHENY 2-6-6-6

RK CHALLENGER 4-6-6-4

RK CAB FORWARD 4-8-8-2

RK ERIE TRIPLEX 2-8-8-8-2

RK N&W Y6b 2-8-8-2

RK USRA 2-8-8-2

STRIPED FLYWHEEL MOTOR (PS2 & PS3)

BE1240005

DC MOTOR / RS385PH / MS001-M32 / F/W 27mm D x 7mm THICK / WORM LENGTH 22.53mm / STRIPED / PS2 BKT

BE0000103

DC MOTOR / RS385PH / MS001-M32 / F/W 27mm D x 5mm THICK / WORM LENGTH 21.34mm / STRIPED / PS 3 BKT

NON-STRIPED FLYWHEEL MOTOR (PS1, PS2 & PS3)

BE1230005

DC MOTOR / RS385PH / MS001-M32 / F/W 27mm D (TAPERED) x 9mm THICK / WORM LENGTH 21.17mm / BLACK / PS1 & PS2

BE1200013

DC MOTOR / RS385PH / MS001-M32 / F/W 27mm x 5mm / WORM LENGTH 21.78mm / BLACK / PS 2

BE0000050

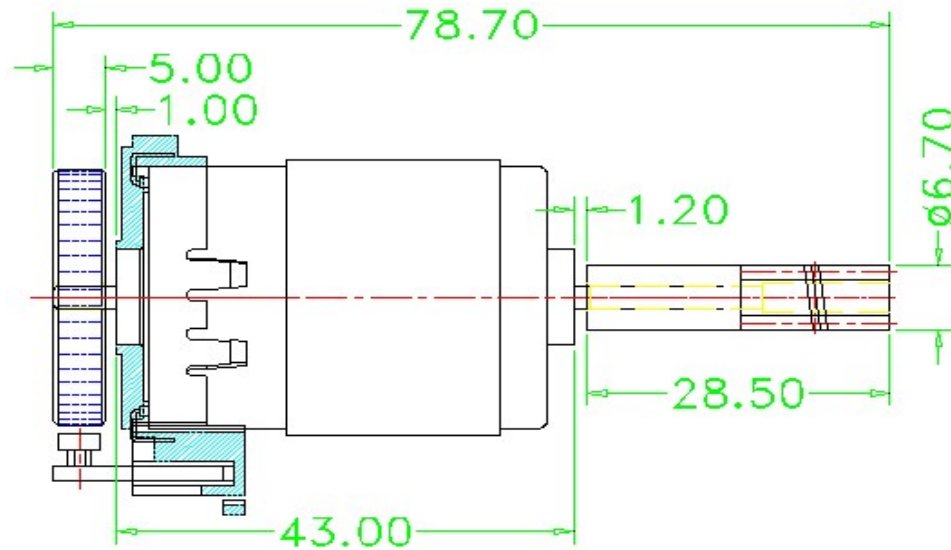
DC MOTOR / RS385PH / MS001-M32 / F/W 30mm D x 9.5mm THICK (TAPERED) / WORM LENGTH 21.51mm / BRASS / PS-1

BE1230006

DC MOTOR / RS385PH / MS001-M32 / F/W 27mm D x 7mm THICK / WORM LENGTH 22.56mm / BRASS / PS1 & PS2

Motor:
RS385PH

Worm Gear:
MS003-M15



Fits the following RailKing Steam Locomotives:

RK HUDSON 4-6-4	RK K-4 PACIFIC 4-6-2
RK P47 PACIFIC 4-6-2	READING CRUSADER 4-6-2
RK DREYFUS HUDSON 4-6-4	RK COMMODORE VANDERBILT 4-6-4
RK PACIFIC 4-6-2	UP FORTY-NINER 4-6-2
RK STREAMLINED HUDSON 4-6-4	RK TORPEDO 4-6-2
RK HIAWATHA 4-6-4	RK ESE HUDSON 4-6-4

STRIPED FLYWHEEL MOTOR (PS2 & PS3)

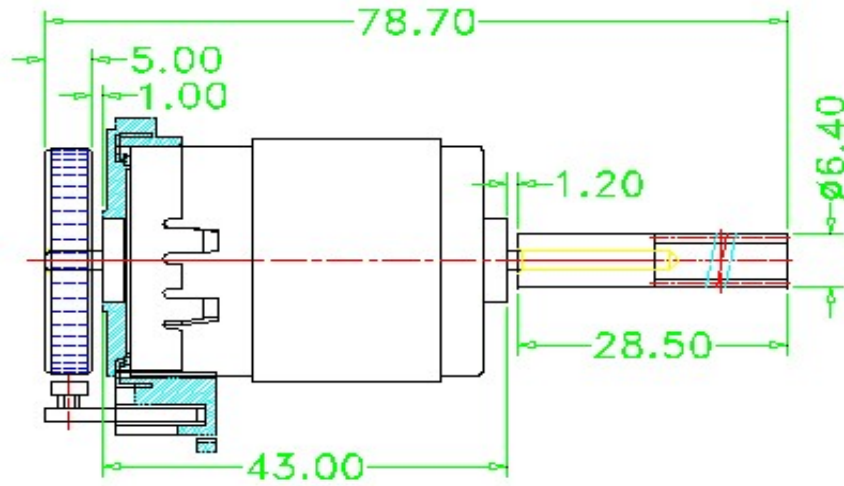
BE0000229	DC MOTOR / RS385PH / MS003-M15 / F/W 27mm D x 5mm THICK / WORM LENGTH 33mm / STRIPED / PS3 BKT
BE1200021	DC MOTOR / RS385PH / MS003-M15 / F/W 27mm D x 5mm THICK / WORM LENGTH 32.39mm / STRIPED / PS 3 BKT

NON-STRIPED FLYWHEEL MOTOR (PS1)

BE0000017	DC MOTOR / RS385PH / MS003-M15 / F/W 27mm D x 9mm THICK / WORM LENGTH 32.24mm / BRASS / PS 1
-----------	--

Motor:
RS385PH

Worm Gear:
MS003-M15



Fits the following RailKing Steam Locomotives:

RK B-6 SWITCHER 0-6-0

STRIPED FLYWHEEL MOTOR (PS2 & PS3)

BE1200012 DC MOTOR / RS385PH / MS002-M21 / F/W 27mm D x 7mm THICK / WORM LENGTH 32.49mm / STRIPED / PS 2 BKT

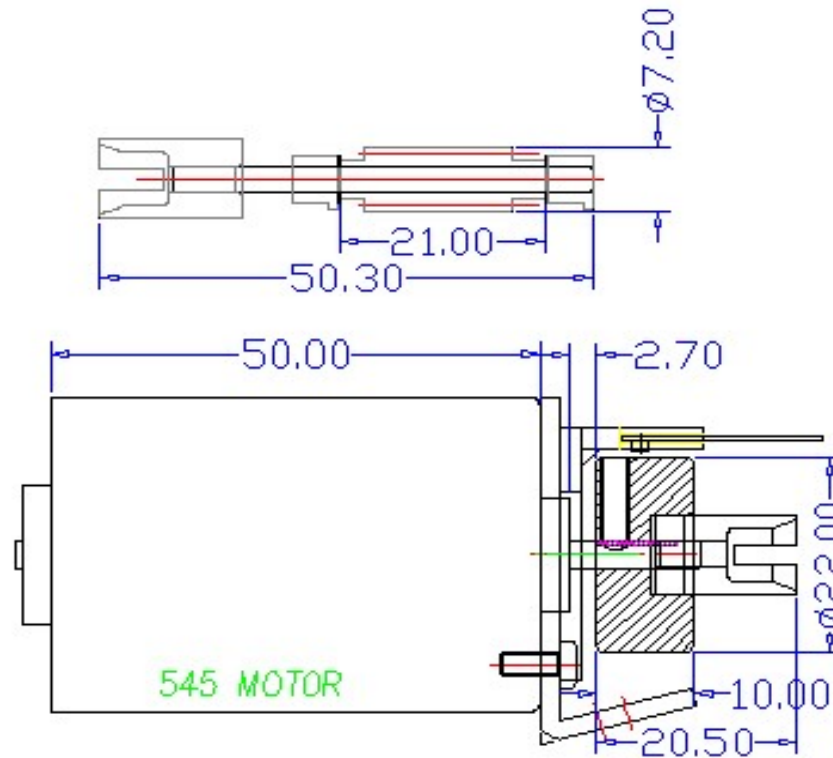
NON-STRIPED FLYWHEEL MOTOR (PS1)

BE0000029 DC MOTOR / RS385PH / MS002-M21 / F/W 30mm D x 11mm THICK / WORM LENGTH 32.35mm / BRASS / PS 1

Motor:
RS545PH

Worm Gear:
MS002-M21

Dog Bone Drive Shaft:
15.6mm L



Fits the following RailKing Steam Locomotives:
RK PRR TURBINE 6-8-6 (NOT Bantam!)

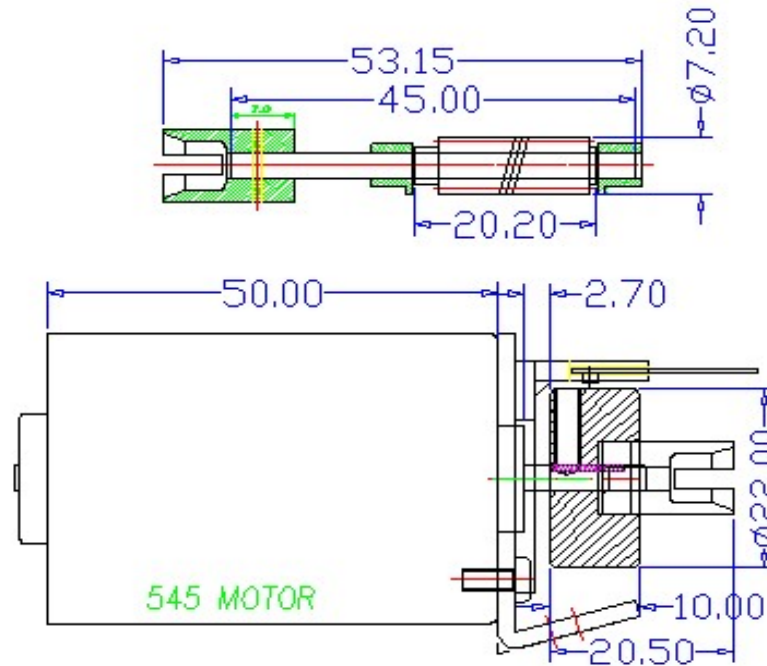
STRIPED FLYWHEEL MOTOR (PS2 & PS3)
BE1200022 DC MOTOR / RS545PH / MS004-M21 / DOGBONE / F/W 22mm D x 10mm THICK / STRIPED / PS2 BKT / W/MOUNT

Drive Shaft / Dog Bone Coupling
EH0000002 DOGBONE / DRIVE SHAFT / O GAUGE / 15.6mm L / PREMIER STEAM ENGINES

Motor:
RS545PH

Worm Gear:
MS005-M24

Dog Bone Drive Shaft:
15.6mm L



Fits the following RailKing Steam Locomotives:

RK NORTHERN 4-8-4

RK N&W J 4-8-4

RK UP FEF 4-8-4

RK BERKSHIRE 2-8-4

RK SP GS-2 4-8-4

**** PS 1 BERKSHIRES USE A BE0000020 (RS385PH W/MS010-M15 WORM) PS 2 AND LATER MODELS USE AS SHOWN ABOVE****

STRIPED FLYWHEEL MOTOR (PS2 & PS3)

BE1200023 DC MOTOR / RS545PH / MS005-M24 / DOGBONE / F/W 22mm D x 10mm THICK / STRIPED / PS2 BKT / W/MOUNT

NON-STRIPED FLYWHEEL MOTOR (PS1)

BE0000049 DC MOTOR / RS545PH / MS005-M24 / DOGBONE / F/W 29mm D (TAPERED) x 7mm THICK / BRASS FLYWHEEL / PS-1

WORM GEAR

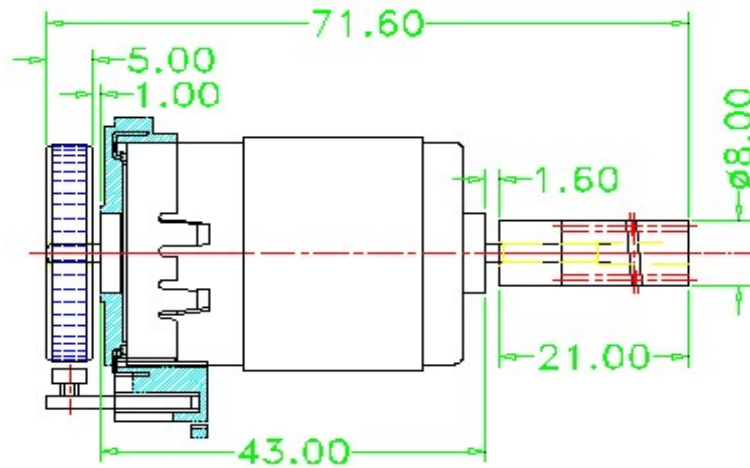
EH0000008 WORM GEAR / W/BEARINGS / MS005-M24 / 53.15mm L / W/DOG BONE COUPLING

DRIVE SHAFT / DOGBONE COUPLING

EH0000002 DOGBONE / DRIVE SHAFT / O GAUGE / 15.6mm L / PREMIER STEAM ENGINES

Motor:
RS545PH

Worm Gear:
MS006-M25



Fits the following RailKing Steam Locomotives:

RK GENERAL 4-4-0

RK 4-6-0 TEN WHEELER

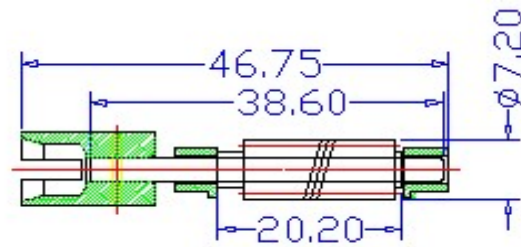
STRIPED FLYWHEEL MOTOR (PS2 & PS3)

- BE0000227 DC MOTOR / RS365SH / MS006-M25 / F/W 27mm D x 5mm THICK / WORM LENGTH 24.95mm / STRIPED / PS3 BKT
- BE0000115 DC MOTOR / RS365SH / MS006-M25 / F/W 30mm D (TAPERED) x 10.5mm THICK / WORM LENGTH 25.21mm / STRIPED / PS 2 BKT
- BE0000076 DC MOTOR / RS365SH / MS006-M25 / F/W 30mm D x 9mm THICK / WORM LENGTH 25.15mm / STRIPED / PS 3 BKT
- BE0000077 DC MOTOR / RS365SH / MS006-M25 / F/W 30mm D x 9mm THICK / WORM LENGTH 24.51mm / STRIPED / PS 2 BKT
- BE0000219 DC MOTOR / RS365SH / MS006-M25 / F/W 27mm D x 6mm THICK / WORM LENGTH 24.6mm / STRIPED / PS 3 BKT

NON-STRIPED FLYWHEEL MOTOR (PS1)

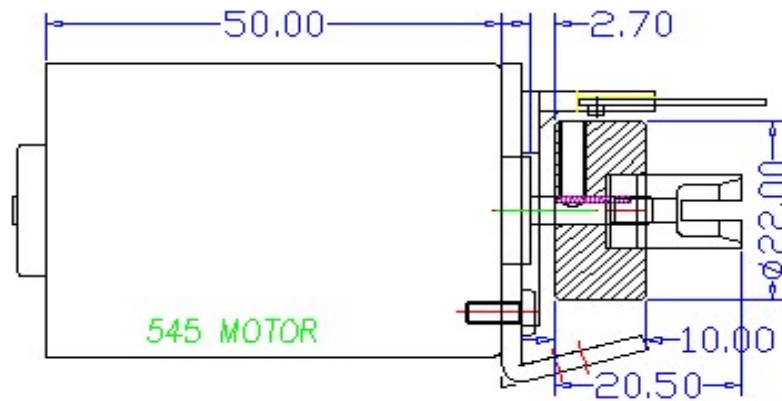
- BE0000007 DC MOTOR / RS365SH / MS006-M25 / F/W 27.8mm D x 11.75mm THICK (TAPERED) / WORM LENGTH 24.59mm / BRASS / PS-1
- BE0000045 DC MOTOR / RS365SH / MS006-M25 / F/W 30mm D x 9mm THICK / BRASS / PS 1

Motor:
RS545PH



Worm Gear:
MS007-M26

Dog Bone Drive Shaft:
15.6mm L



Fits the following RailKing Steam Locomotives:

RK PRR M-1a 4-8-2

STRIPED FLYWHEEL MOTOR (PS2 & PS3)

BE0000200

DC MOTOR / RS545 / F/W 30mm D x 10mm THICK W/DOGBONE COUPLING / INCLUDES MOTOR MOUNT / STRIPED / PS 2 BKT

WORM GEAR

EH1200001

WORM GEAR / W/DOG BONE COUPLING / MS007-M26 / RAILKING M-1a MOUNTAIN 4-8-2

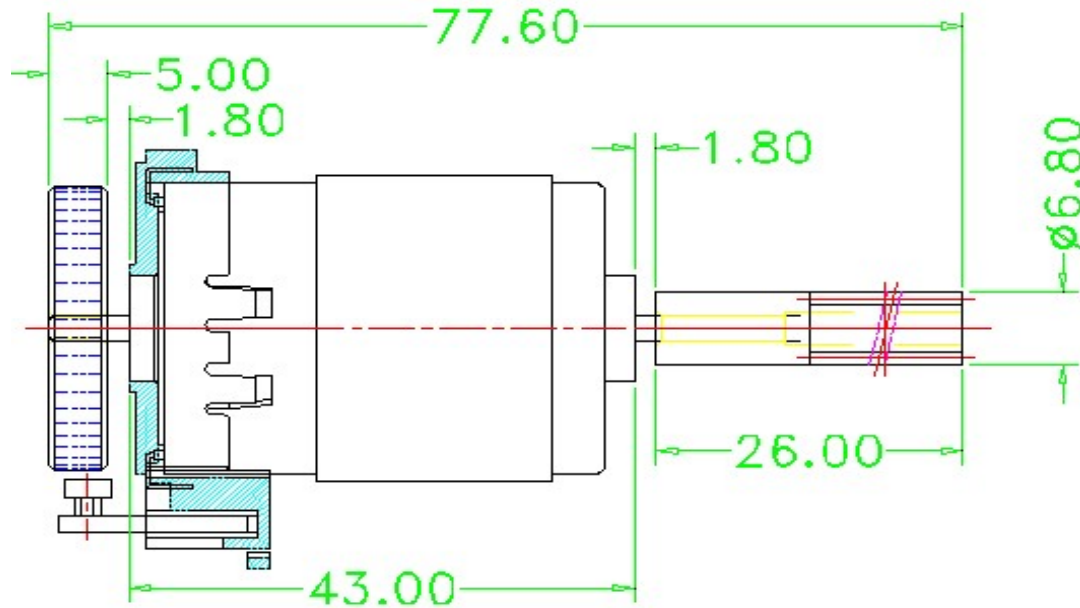
DRIVE SHAFT / DOGBONE COUPLING

EH0000002

DOGBONE / DRIVE SHAFT / O GAUGE / 15.6mm L / PREMIER STEAM ENGINES

Motor:
RS385PH

Worm Gear:
MS010-M15



Fits the following RailKing Steam Locomotives:

RK USRA 0-8-0

NON-STRIPED FLYWHEEL MOTOR (PS1)

BE0000020 DC MOTOR / RS385PH / MS010-M15 / F/W 27.7mm D x 13mm THICK / WORM LENGTH 29.86mm / BRASS / PS-1

TO ADD STRIPES TO THE FLYWHEEL:

BE0000073 FLYWHEEL TACH TAPE / (STRIPES) / 1.77mm WIDE / FOR 27mm DIAM. FLYWHEELS

BE0000151 FLYWHEEL TACH TAPE / FOR 33.7mm, 31.8mm, 30mm & 27mm DIAMETER FLYWHEELS / PS 3 UPGRADE KIT

TO ADD A TACH BRACKET:

IH0000389 BRACKET / TACH READER / PS 2 / PLASTIC / MABUCHI MOTORS

IH0000475 BRACKET / TACH READER / PLASTIC / FOR 27mm FLYWHEELS / PS 3 ONLY / MABUCHI MOTORS / PS 3 UPGRADE KIT

IH0000478 BRACKET / TACH READER / PLASTIC / FOR 30mm FLYWHEELS / PS 3 ONLY / MABUCHI MOTORS / PS 3 UPGRADE KIT

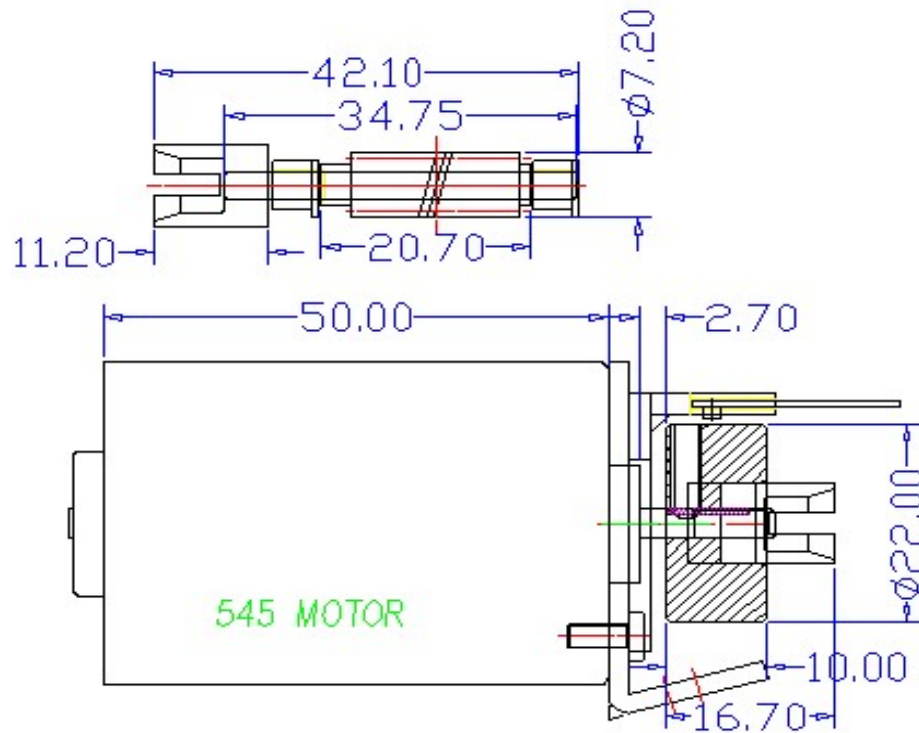
TO REPLACE JUST THE MOTOR (AND SWAP FLYWHEEL / WORM GEAR)

BE0000245 DC MOTOR / RS385PH / DUAL SHAFT / NO FLYWHEEL / NO WORM GEAR

Motor:
RS545PH

Worm Gear:
MS014-M11

Dog Bone Drive Shaft:
15.6mm L



Fits the following RailKing Steam Locomotives:

PRR I-1 Decapod 2-10-0

MONTOUR 2-8-2

PRR L1 Mikado 2-8-2

NON-STRIPED FLYWHEEL MOTOR (PS1)

BE0000020 DC MOTOR / RS385PH / MS010-M15 / F/W 27.7mm D x 13mm THICK / WORM LENGTH 29.86mm / BRASS / PS-1

WORM GEAR

EH1200006 WORM GEAR / MS014-M11 / W/DOG BONE COUPLING / 42mm L / PREMIER DECAPOD 2-10-0

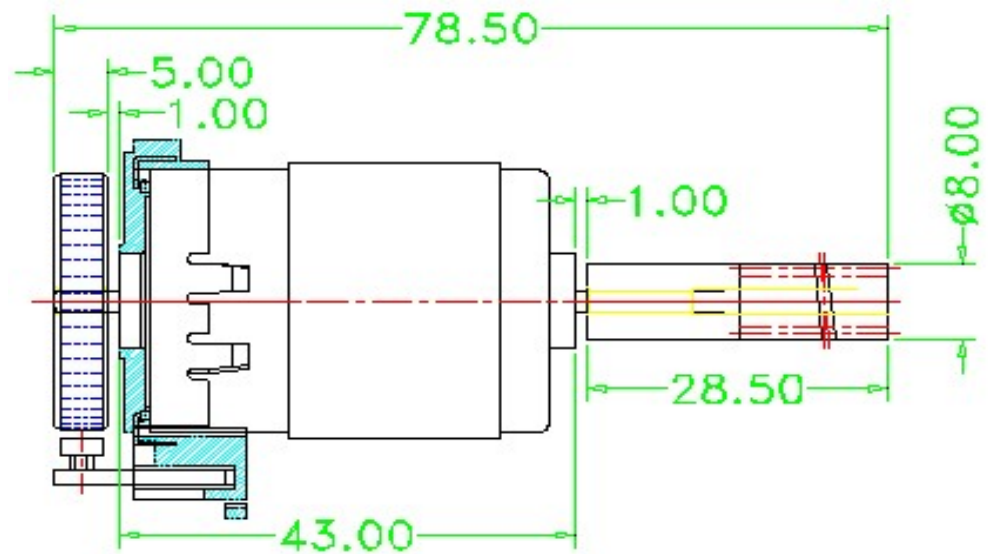
EH1200003 WORM GEAR / W/DOG BONE COUPLING / MS014-M11 / 42.1mm L / RAILKING MIKADO 2-8-2

DRIVE SHAFT / DOGBONE COUPLING

EH0000002 DOGBONE / DRIVE SHAFT / O GAUGE / 15.6mm L / PREMIER STEAM ENGINES

Motor:
RS385PH

Worm Gear:
MS016-M9



Fits the following RailKing Steam Locomotives:
RK CAMELBACK 4-6-0

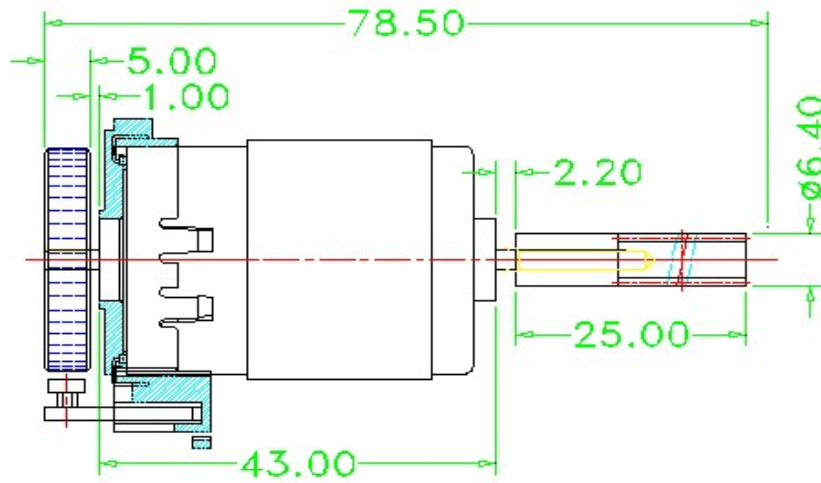
STRIPED FLYWHEEL MOTOR (PS2 & PS3)

BE000079
BE120014

DC MOTOR / RS365SH / MS016-M9 / F/W 30mm D x 9mm THICK / WORM LENGTH 34.07mm / STRIPED / PS 2 BKT
DC MOTOR / RS385PH / MS016-M9 / F/W 27mm D x 5mm THICK / WORM LENGTH 32.39mm / STRIPED / PS 3 BKT

Motor:
RS385PH

Worm Gear:
MS025-M12



Fits the following RailKing Steam Locomotives:

RK USRA 0-6-0

No part identified to date. If you need to rebuild the motor, use the following:

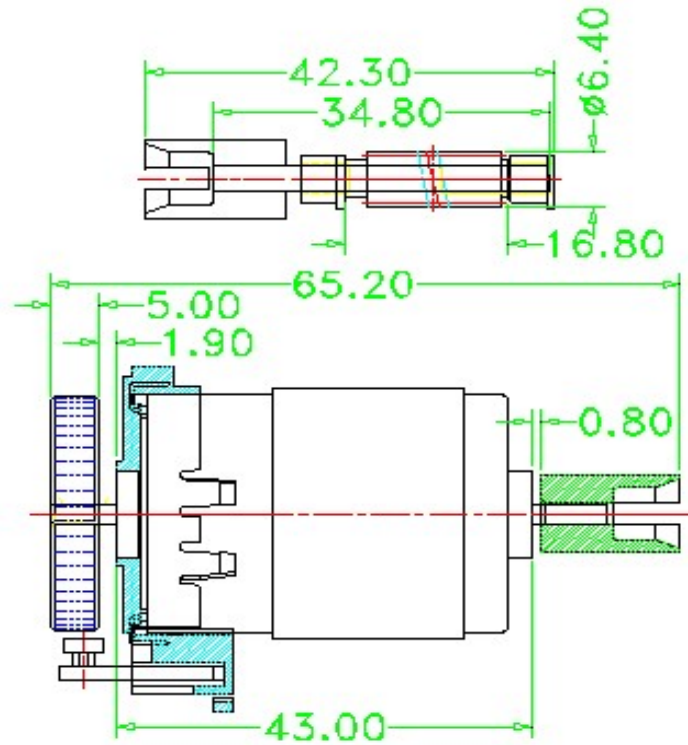
BE0000245

DC MOTOR / RS385PH / DUAL SHAFT / NO FLYWHEEL / NO WORM GEAR

Motor:
RS385PH

Worm Gear:
MS026-M8

Dog Bone Drive Shaft:
15.6mm L



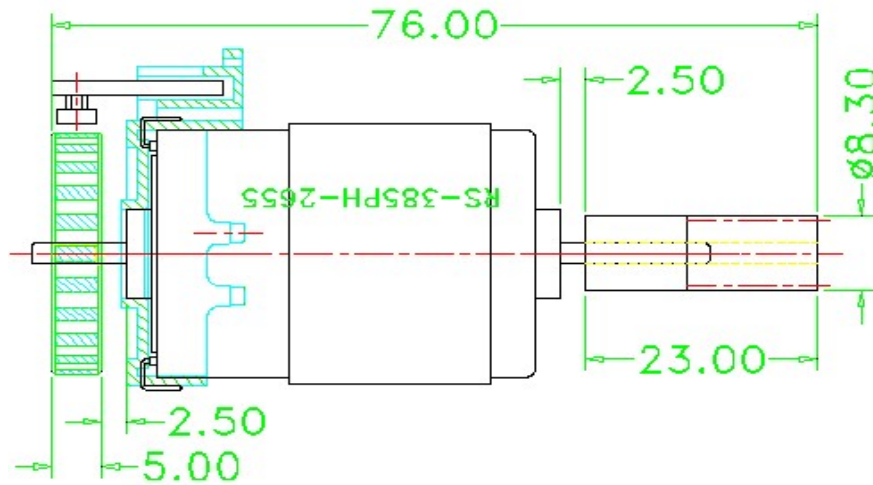
Fits the following RailKing Steam Locomotives:
RK NYC MOHAWK 4-8-2

STRIPED FLYWHEEL MOTOR (PS2 & PS3)
BE0000087 DC MOTOR / RS385PH / DOG BONE COUPLING 14mm L / F/W 30mm D x 9mm THICK / STRIPED

DRIVE SHAFT / DOG BONE COUPLING:
EH0000002 DOGBONE / DRIVE SHAFT / O GAUGE / 15.6mm L / PREMIER STEAM ENGINES

Motor:
RS385PH

Worm Gear:
MD105-M38



Fits the following RailKing Steam Locomotives:
M-1 STEAM TURBINE

NON-STRIPED FLYWHEEL MOTOR (PS1)

BE0000191 DC MOTOR / RS385PH / MD105-M38 / F/W 35.75mm D (TAPERED) x 8mm THICK / WORM LENGTH 27.85mm / BRASS / PS 1 / M-1 STEAM ELECTRIC TURBINE

TO ADD STRIPES TO THE FLYWHEEL:

BE0000073 FLYWHEEL TACH TAPE / (STRIPES) / 1.77mm WIDE / FOR 27mm DIAM. FLYWHEELS

BE0000151 FLYWHEEL TACH TAPE / FOR 33.7mm, 31.8mm, 30mm & 27mm DIAMETER FLYWHEELS / PS 3 UPGRADE KIT

TO ADD A TACH BRACKET:

IH0000389 BRACKET / TACH READER / PS 2 / PLASTIC / MABUCHI MOTORS

IH0000475 BRACKET / TACH READER / PLASTIC / FOR 27mm FLYWHEELS / PS 3 ONLY / MABUCHI MOTORS / PS 3 UPGRADE KIT

IH0000478 BRACKET / TACH READER / PLASTIC / FOR 30mm FLYWHEELS / PS 3 ONLY / MABUCHI MOTORS / PS 3 UPGRADE KIT

TO REPLACE JUST THE MOTOR (AND SWAP FLYWHEEL / WORM GEAR)

BE0000245 DC MOTOR / RS385PH / DUAL SHAFT / NO FLYWHEEL / NO WORM GEAR

REPLACEMENT MOTORS & HARDWARE

BE0000004 DC MOTOR / RS545 / SINGLE SHAFT / MOTOR ONLY / PREMIER & RAILKING STEAM
BE0000245 DC MOTOR / RS385PH / DUAL SHAFT / NO FLYWHEEL / NO WORM GEAR
IH0000389 BRACKET / TACH READER / PS 2 / PLASTIC / MABUCHI MOTORS
IH0000475 BRACKET / TACH READER / PLASTIC / FOR 27mm FLYWHEELS / PS 3 ONLY / MABUCHI MOTORS / PS 3 UPGRADE KIT
IH0000478 BRACKET / TACH READER / PLASTIC / FOR 30mm FLYWHEELS / PS 3 ONLY / MABUCHI MOTORS / PS 3 UPGRADE KIT
IH0000479 BRACKET / TACH READER / FOR PITTMAN MOTOR / PS 2 / 4 MOUNTING HOLES
IH0000490 BRACKET / TACH READER / FOR PITTMAN MOTOR / PS 3 / 4 MOUNTING HOLES